

STANDARD OUTDOOR DOMES - Spherical Dome VLP20



DESCRIPTION

The VLP20 is a rugged, field tested outdoor housing. Up to four fixed cameras can be accommodated in the 20" decorative dome. The complete line of VIDEOLARM pan/tilts can be used, plus the Pelco 270 and 280. A heater/blower is also available as an option.

FEATURES

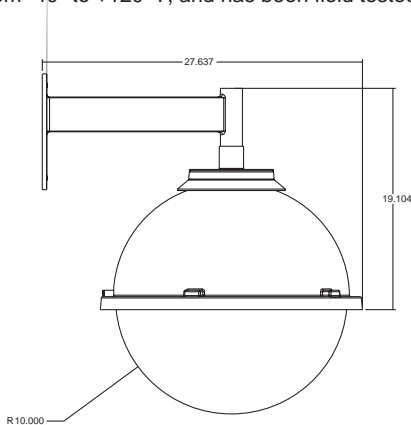
- Rugged upper 1/4" shell, UV protected
- Available with a 24 VAC, 115 VAC or 240 VAC heater/blower
- Quick-release drive motor bracket included
- Tamper resistant
- 20" dome with room for up to 4 fixed cameras (MCL - 8")
- Ability to see in almost all directions
- Easy installation

CERTIFICATIONS



ARCHITECTURAL/ENGINEERING SPECIFICATIONS

The upper housing of the VLP20 shall be constructed of ABS plastic and shall be UV-stabilized with no visible yellowing for up to ten years. The lower dome shall be formed from cell cast acrylic and shall also be UV-stabilized. A quick release bracket shall be included, pre-drilled for popular drive motors and containing a mounting area for heater pads, thermostats and terminal strips. The unit will withstand temperature ranges from -40° to +120° F, and has been field tested to hold a stable picture in up to 40mph winds.



OPTIONS/ACCESSORIES

- CA2** - Corner mount adapter
- P1600** - 16' pole
- PA2** - Roof top bracket
- PM3** - Pole mount
- SRM1500** - Side/corner/wall/roof bracket
- SRCW2000** - Roof top bracket
- WM30G** - Aluminum parapet mount
- PRM30G** - Aluminum extended parapet mount
- FM1** - Camera mount

NOTE: If the application calls for more than one camera in the unit, an additional FM1 bracket will need to be purchased for each additional camera.

ELECTRICAL SPECIFICATIONS

Power Source - 24 VAC
- 115 VAC

Heater Power Consumption - 24 VAC, 150 vA, 6.25 A
- 115 VAC, 150 vA, 1.3 A

MODELS

VLPW20C - 20" diameter outdoor housing with fixed camera bracket, clear lower dome and universal wall mount.

VLPW20CHB - VLPW20C with 115 VAC heater/blower

VLPW20CHB2 - VLPW20C with 24 VAC heater/blower

NOTE: Replace "C" with "T" in model number for tinted dome (1 F-stop reduction).
Replace "W" with "P" in model number for pendant mount



Shown with multiple cameras

SHIPPING SPECIFICATIONS

Model	Unit Weight	Shipping Weight	Shipping Box Dim.
VLP20	33 lbs	33 Grd/87 Air	25 x 25 x 27

* Shipping weights depend on box dimensions.

6B

Standard Outdoor
Domes